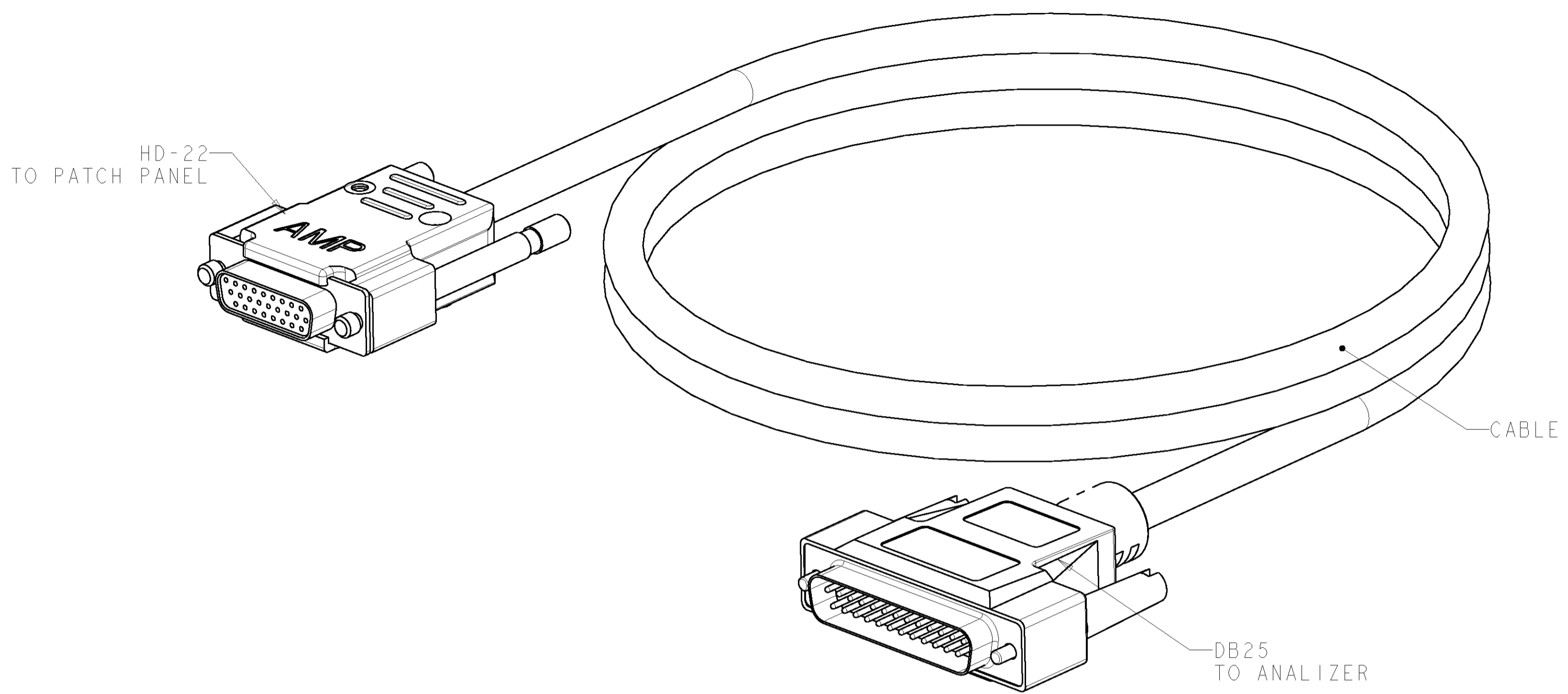
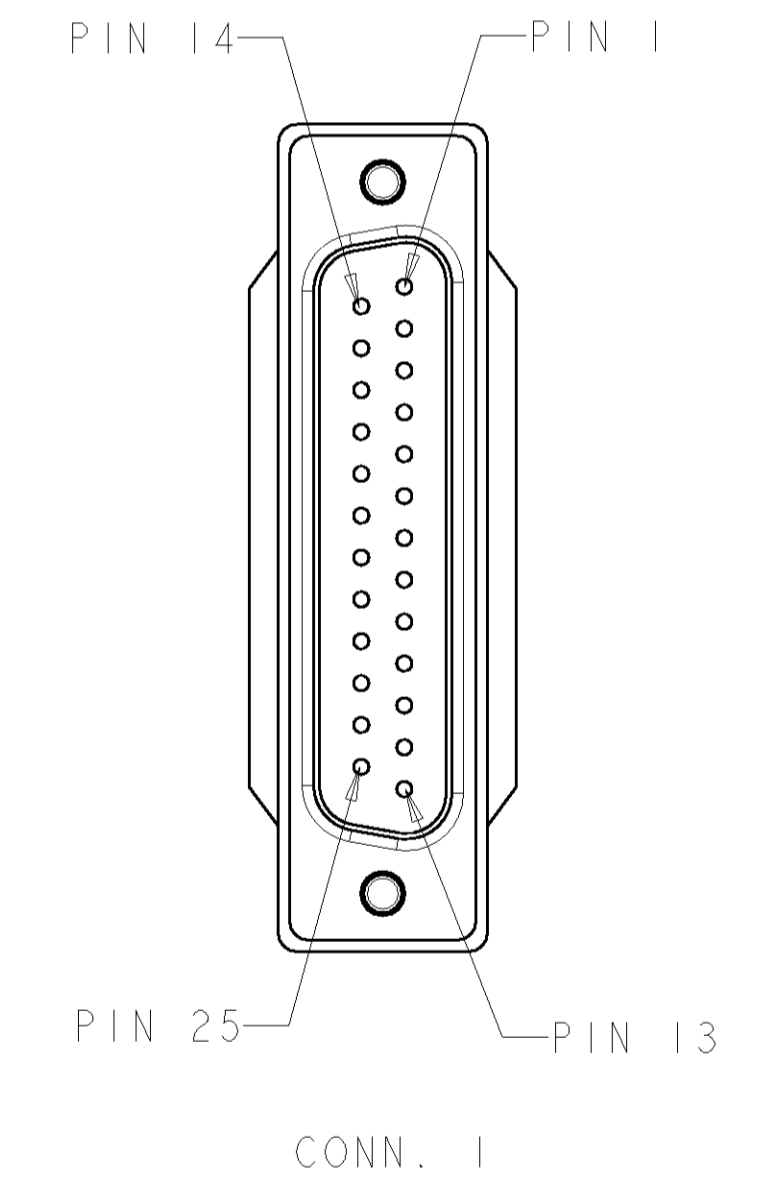
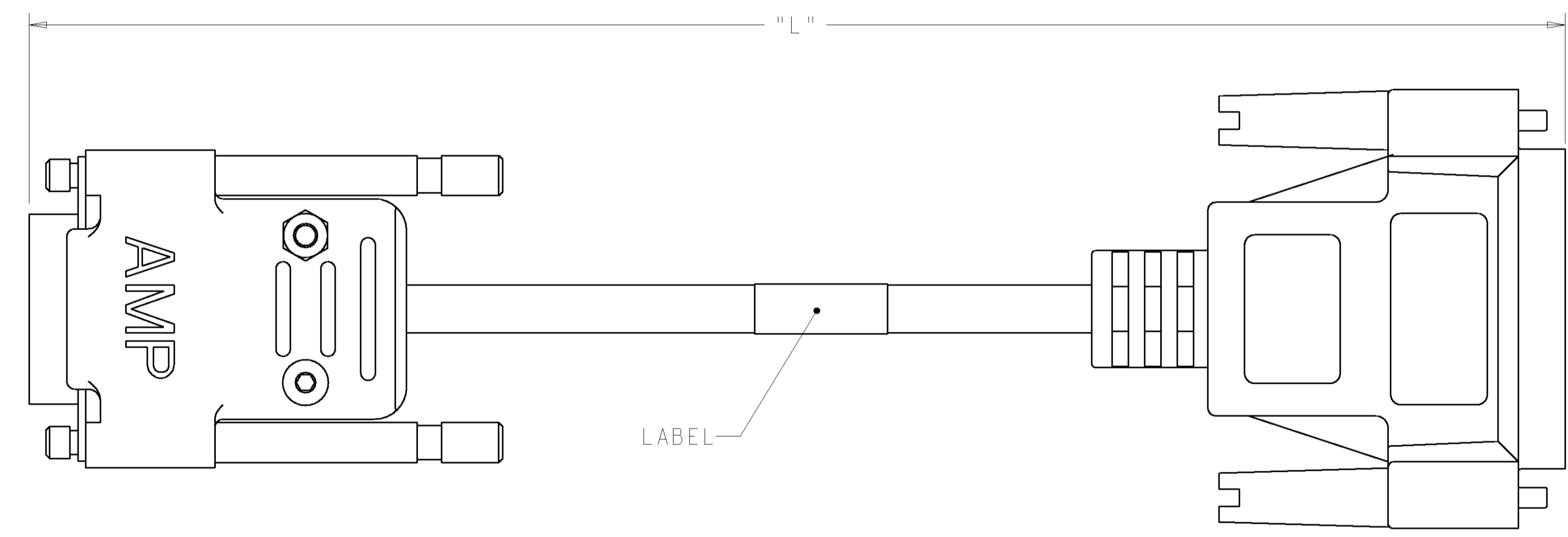
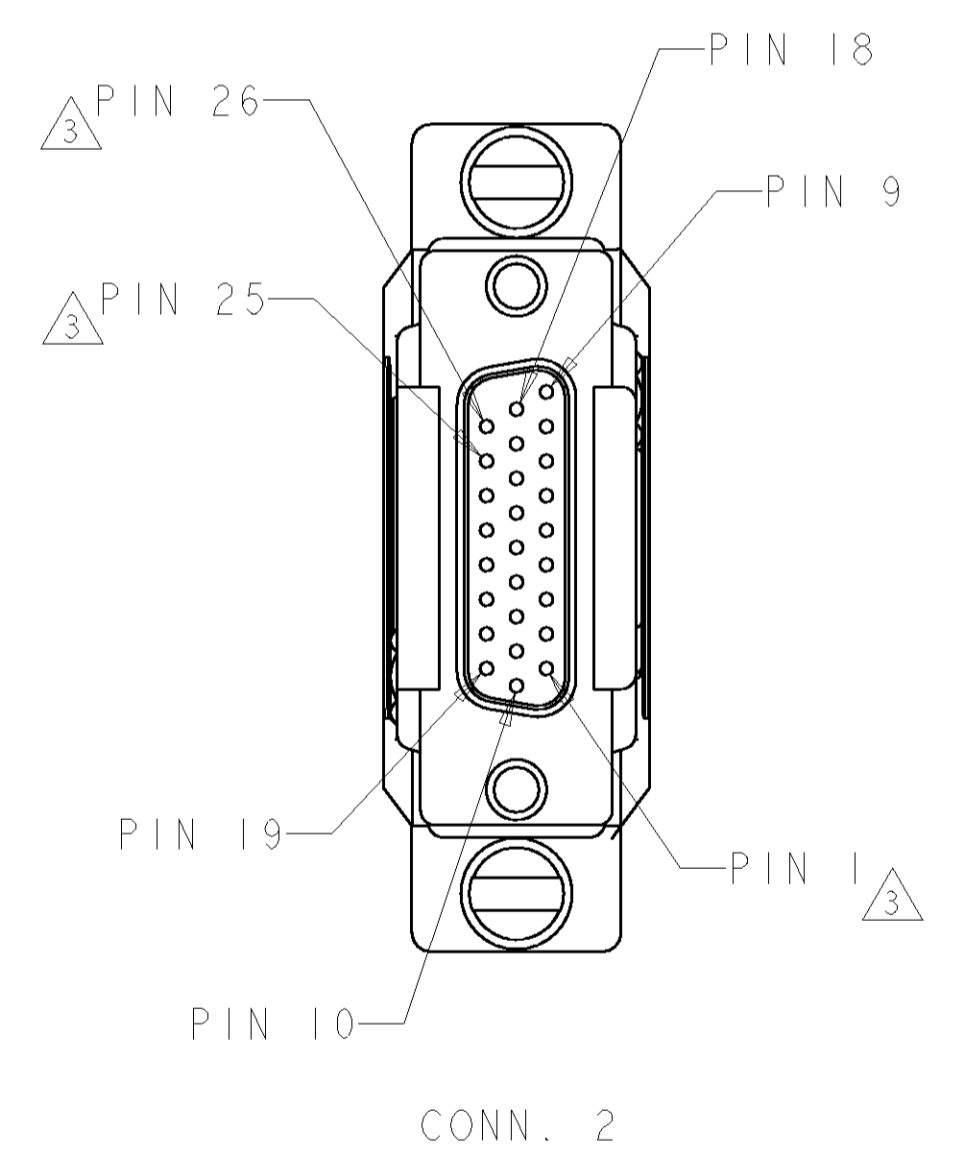


LOC		DIST		REVISIONS			
HM	00	P	LTR	DESCRIPTION	DATE	BY	APPD
		A		RLSD - NSD05-025	15FEB2005	LS	MD
		B		REV ECO-05-015094	08DEC2005	LH	MD
		C		EC-06-001731	06FEB2006	JM	MD



- 1 CABLE ASSEMBLY SHALL BE WIRED PER WIRING DIAGRAM.
- 2 DIMENSIONS ARE MAXIMUM.
- 3 PINS 25 AND 26 NOT USED. PIN 1 NOT CONNECTED TO PIN 25.

WIRING SCHEME	
DB25 P1	HDP22 P2
13	1
25	2
12	3
24	4
11	5
23	6
10	7
22	8
9	9
21	10
8	11
20	12
7	13
19	14
6	15
18	16
5	17
17	18
4	19
16	20
3	21
15	22
2	23
14	24
1	25
	26



FEET	L	PART NUMBER
100	30632.4 [1206.00]	9-1499507-9
75	23012.4 [906.00]	7-1499507-5
50	15392.4 [606.00]	5-1499507-0
25	7772.4 [306.00]	2-1499507-5
14	4419.6 [174.00]	1-1499507-4
10	3200.4 [126.00]	1-1499507-0
7	2286.0 [90.00]	1499507-7
4	1371.6 [54.00]	1499507-4

DIMENSIONS: [MM] [INCHES] TOLERANCES UNLESS OTHERWISE SPECIFIED: 0 PLC ± 1 PLC ± 2 PLC ± 3 PLC ± 4 PLC ± ANGLES ± FINISH ±		DWN L. SMITH 15FEB2005 CHK M. DELPHIAS 15FEB2005 APPD M. DELPHIAS 15FEB2005 PRODUCT SPEC APPLICATION SPEC WEIGHT CUSTOMER DRAWING	Tyco Electronics Harrisburg, PA 17105-3608 NAME AMPTRAC I/O CABLE ASSY, HDP-22 TO DB25 SIZE CAGE CODE DRAWING NO A1 00779 C=1499507 RESTRICTED TO SCALE 2:1 SHEET 1 OF 1 REV C
--	--	---	--